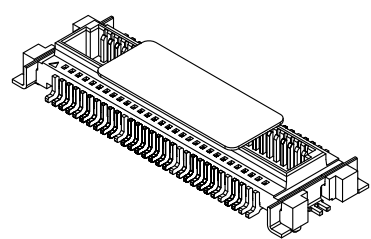
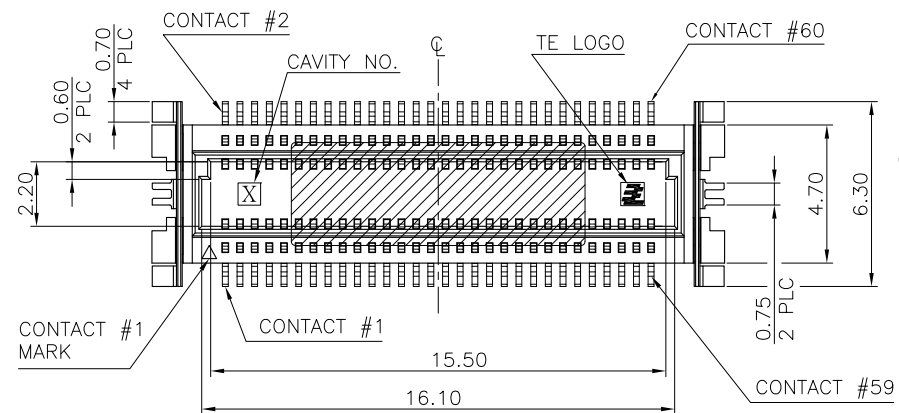
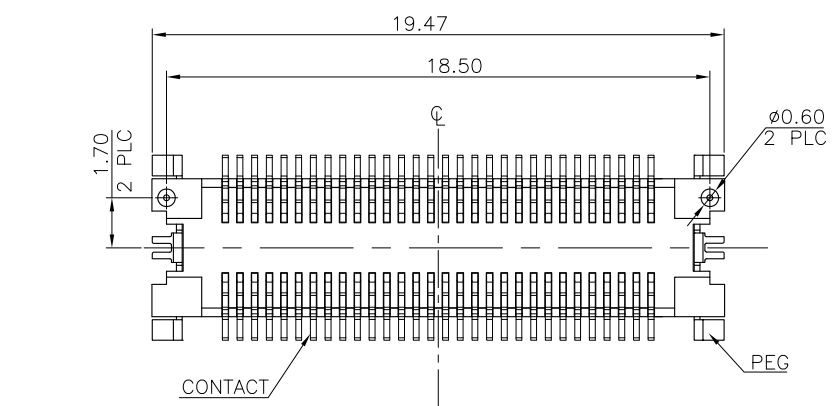
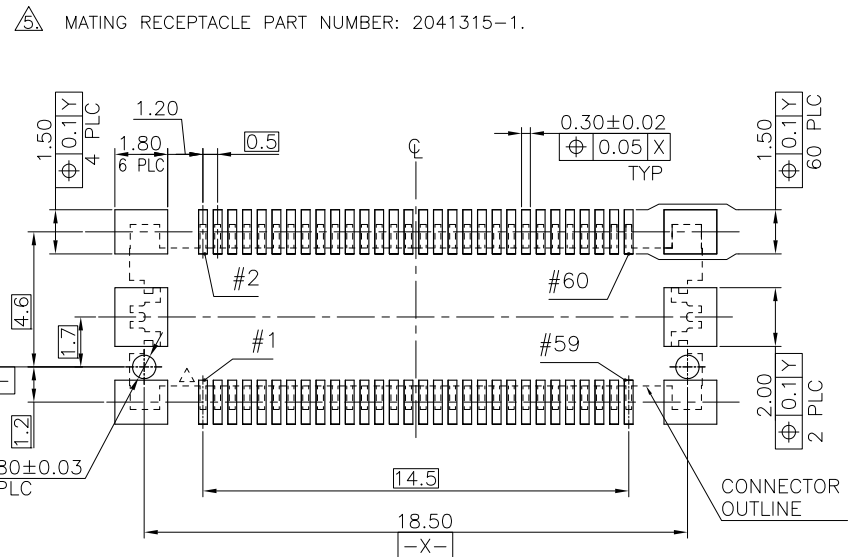
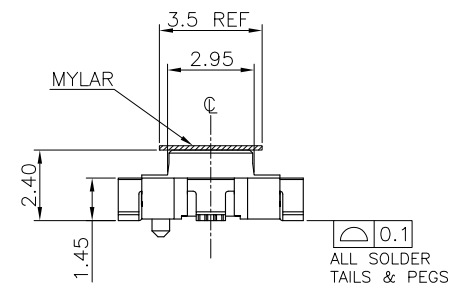
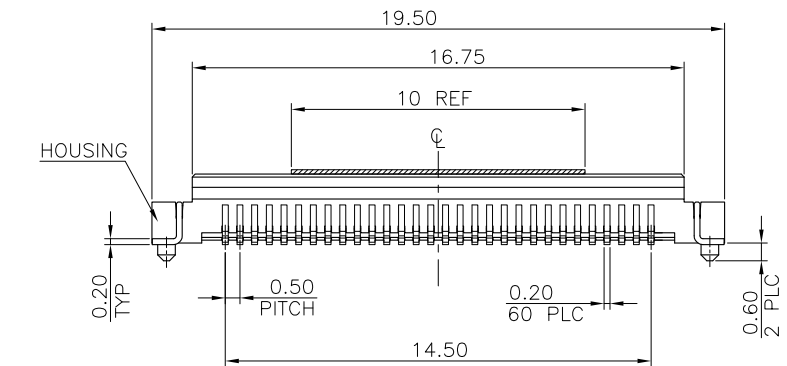


THIS DRAWING IS UNPUBLISHED. RELEASED FOR PUBLICATION
 © COPYRIGHT 2010 BY TYCO ELECTRONICS CORPORATION. ALL RIGHTS RESERVED.

LOC		DIST		REVISIONS					
DW		-		P	LTR	DESCRIPTION	DATE	DWN	APVD
				B		ECR-13-001067	18JAN13	AW	WK



- NOTES:
- MATERIAL:
 HOUSING: LCP WITH 35% GF, UL94 V-0, NATURAL COLOR.
 CONTACTS: PHOSPHOR BRONZE.
 PEGS: BRASS.
 MYLAR: POLYSTYRENES, ORANGE COLOR.
 - FINISH:
 CONTACTS: 0.0254µm [1µ"] MIN. GOLD PLATED OVER 1.27µm [50µ"] MIN. NICKEL ON ENTIRE CONTACT.
 PEGS: 3.05µm [120µ"] MIN. MATTE-TIN OVER 1.27µm [50µ"] MIN. NICKEL.
 - REFLOW SOLDER CAPABLE TO 260°C PER TEC-109-201, CONDITION B.
 - SUBSTANCE RESTRICTIONS FOR LOW HALOGEN (BY WEIGHT):
 BROMINE (Br) ≤ 900 PPM (0.09%)
 CHLORINE (Cl) ≤ 900 PPM (0.09%)
 TOTAL CONCENTRATION OF CHLORINE (Cl) + BROMINE (Br) ≤ 1500 PPM (0.15%)



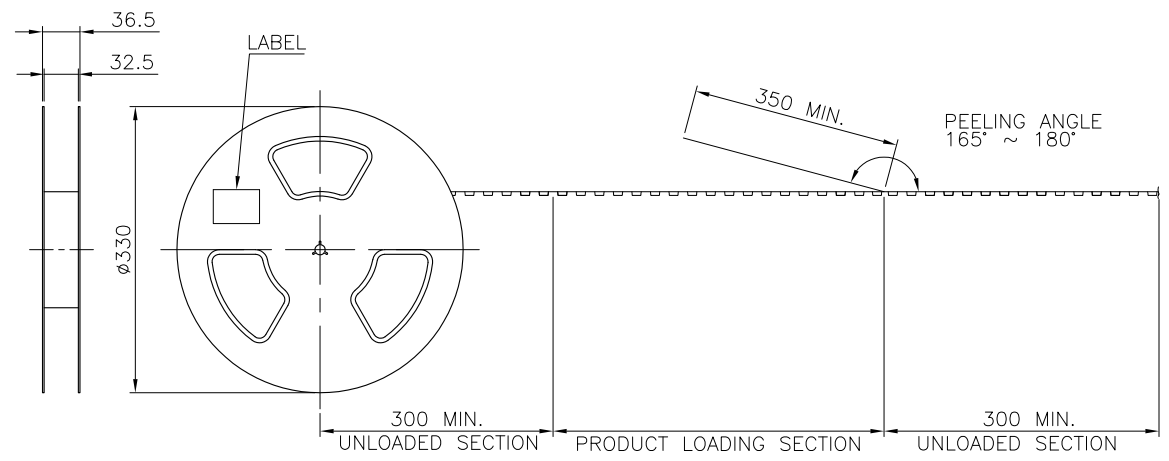
TOLERANCE: ±0.05
 RECOMMENDED PCB LAYOUT
 (TOP VIEW)

2041314-1
 PART NUMBER

THIS DRAWING IS A CONTROLLED DOCUMENT.		DWN	A. WU	02NOV2010	TE Connectivity	
DIMENSIONS: MM		CHK	S. CHIEN	02NOV2010		
TOLERANCES UNLESS OTHERWISE SPECIFIED:		APVD	W. KODAMA	02NOV2010	NAME 0.5 PITCH BOARD-TO-BOARD CONNECTOR, SMT, 60 POSITION, PLUG	
0 PLC ±0.5 1 PLC ±0.3 2 PLC ±0.2 3 PLC ±0.15 4 PLC ±0.1 ANGLES ± 3°		PRODUCT SPEC	108-57849			
MATERIAL SEE NOTE		APPLICATION SPEC	-		SIZE	A3
FINISH SEE NOTE		WEIGHT	0.35 GRAMS		CAGE CODE	00779
		CUSTOMER DRAWING	-		DRAWING NO	C=2041314
		SCALE	-		RESTRICTED TO	-
		SHEET	1 of 2		REV	B

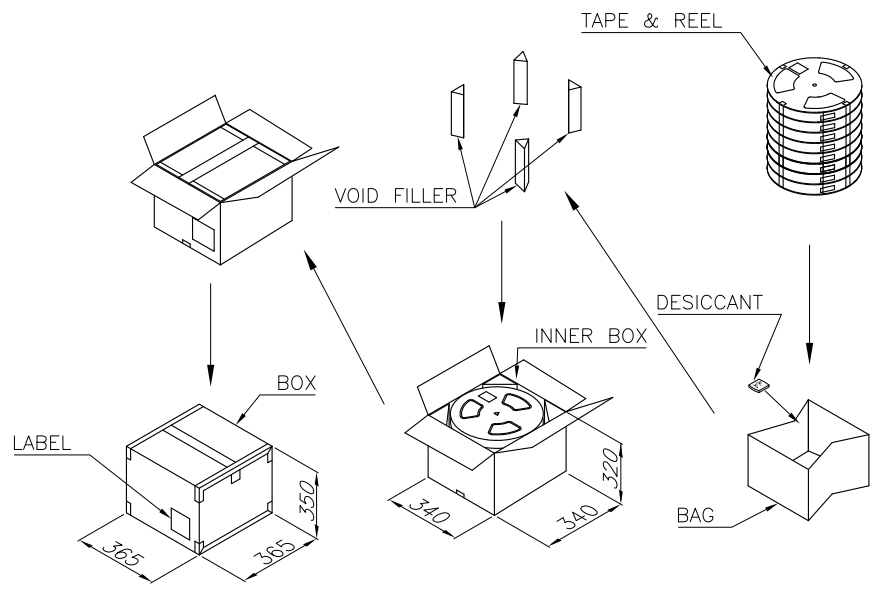
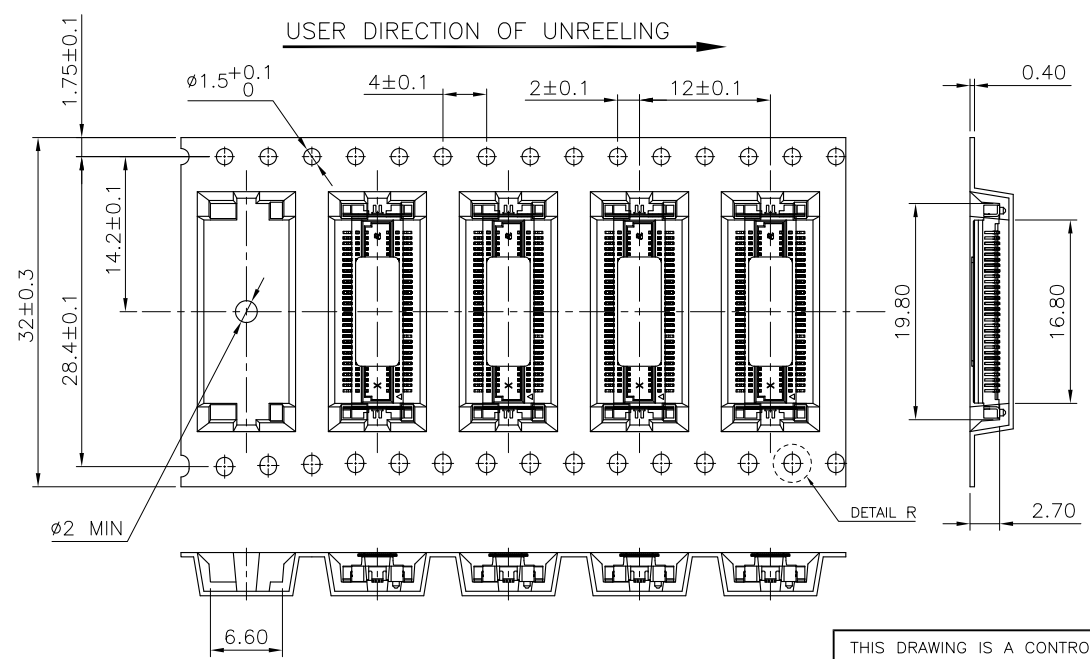
THIS DRAWING IS UNPUBLISHED. RELEASED FOR PUBLICATION
 © COPYRIGHT 2010 BY TYCO ELECTRONICS CORPORATION. ALL RIGHTS RESERVED.

LOC	DIST	REVISIONS					
DW	-	P	LTR	DESCRIPTION	DATE	DWN	APVD
				SEE SHEET 1.			

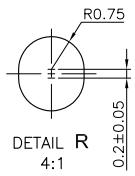


NOTES:

- MATERIAL:
 BOX: FIBREBOARD, CORRUGATED, DOUBLE WALL.
 COVER TAPE: PET, TRANSPARENT COLOR.
 CARRIER TAPE: POLYSTYRENES, TRANSPARENT COLOR.
 REEL: HIPS, BLUE COLOR.
 BAG: POLYETHYLENES, TRANSPARENT COLOR.
- EACH BAG SHALL BE INCLUDED DESICCANT.
- PEELING STRENGTH: 0.1 ~ 1.3 N (10 ~ 130 GRAMS).
- PEELING SPEED: 300 mm/min.



1500	8	12000 PCS	8.80 KG	4.20 KG
PCS/TAPE	REELS/BOX	QUANTITY	GROSS WEIGHT	NET WEIGHT



THIS DRAWING IS A CONTROLLED DOCUMENT.

DIMENSIONS: MM	TOLERANCES UNLESS OTHERWISE SPECIFIED:	DWN	02NOV2010	 TE Connectivity			
	0 PLC ± -	CHK	02NOV2010				
	1 PLC ± -	APVD	02NOV2010				
	2 PLC ± -	NAME					
	3 PLC ± -	PRODUCT SPEC		0.5 PITCH BOARD-TO-BOARD CONNECTOR, SMT, 60 POSITION, PLUG			
	4 PLC ± -	APPLICATION SPEC		SIZE	CAGE CODE	DRAWING NO	RESTRICTED TO
	ANGLES ± -	WEIGHT		A3	00779	C=2041314	
MATERIAL	FINISH	CUSTOMER DRAWING		SCALE	SHEET	2 of 2	REV
				-			B